

# TJB ENTERPRISE

Turning Dreams Into Quality

Food Processing & Packaging Machinery



**TJB ENTERPRISE**

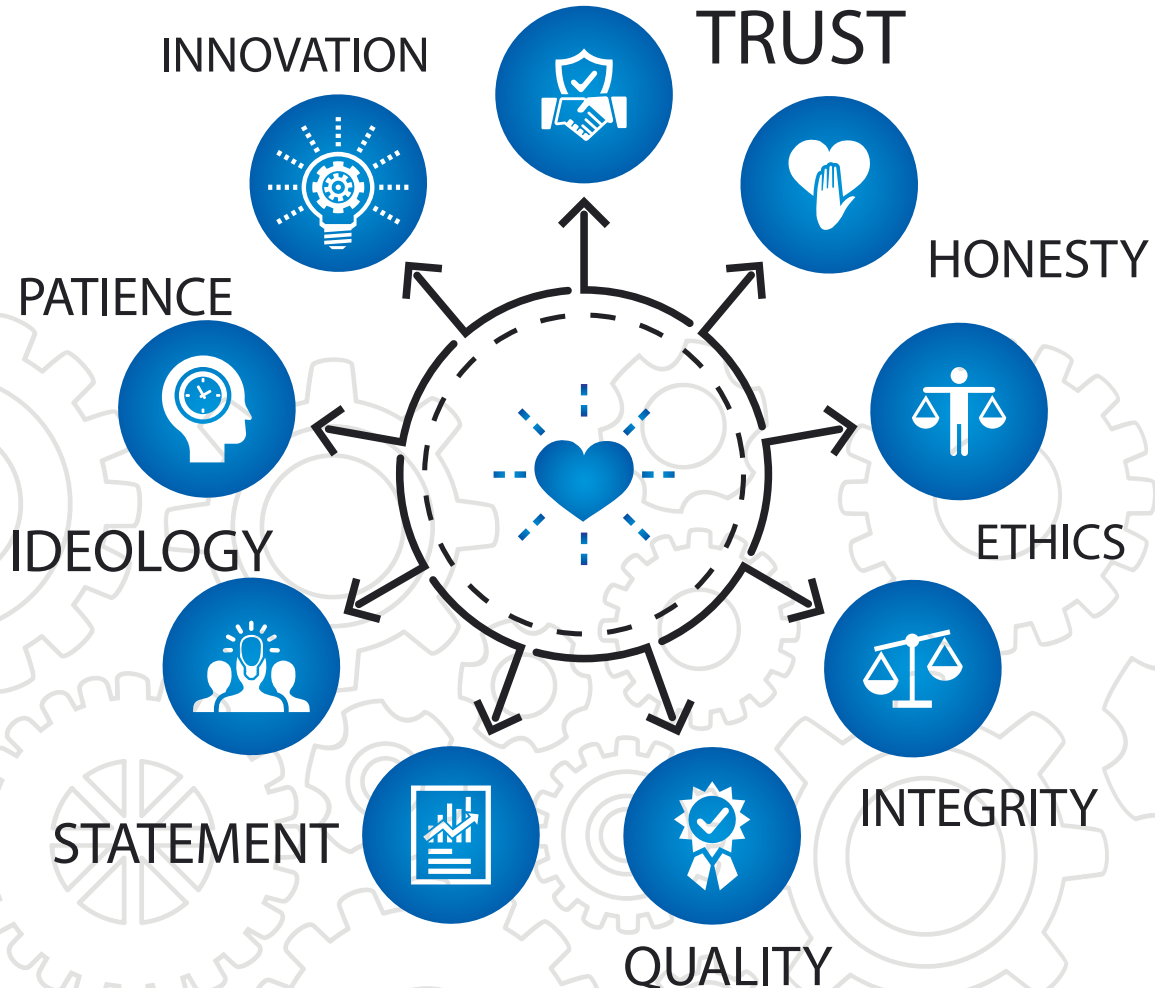
Turning Dreams Into Quality

# OUR VALUE

The four D pillars of Success

- Desire
- Dedeication
- Determination
- Discipline

# CORE VALUES





Achieve brand and create value

## OUR MISSION

### 4Cs

- **Cost Efficiency:** Low operational costs, minimum waste (of packaging material or product).
- **Compliance:** Meets food safety standards (like FSSAI in India), packaging regulations.
- **Compact Design:** Space optimization in typically crowded production lines.
- **Communication:** The packaging communicates product info (like ingredients, weight, brand logo, expiry date, regulatory compliance like FSSAI marks).





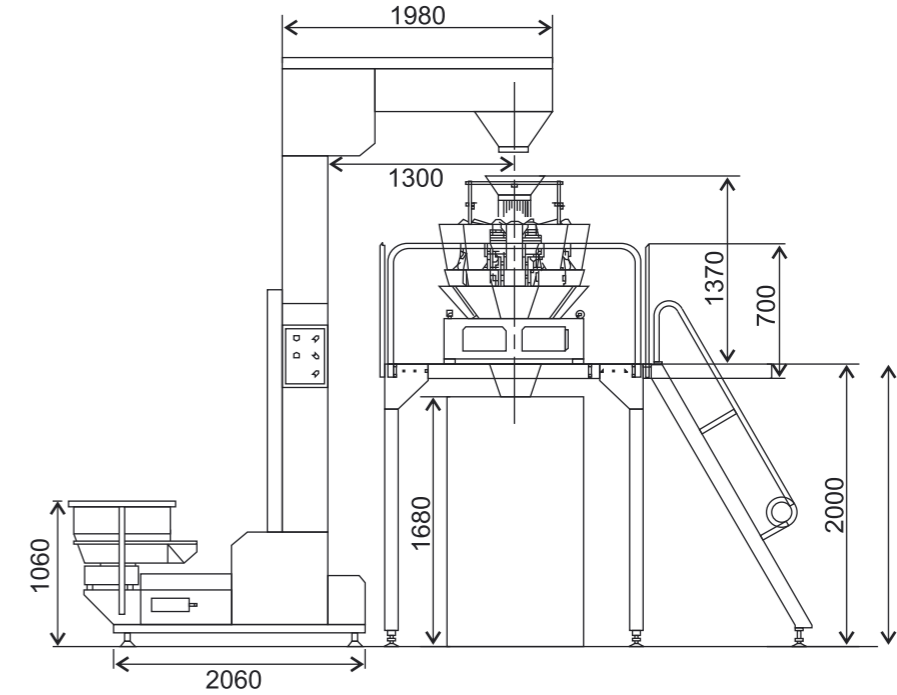
**TJB ENTERPRISE**  
Turning Dreams Into Quality



**TJB ENTERPRISE**  
Turning Dreams Into Quality

## Multi Head Weigher with high Speed Pouch Packing Machine

### Collar Type Multihead Weigher



Automatic Form Fill & Seal Machine with Multihead Weigher for **Chips, Fryms, Namkeen, Snacks, Grains & Free Flow Products Like Pulses, Soya Chunks, Whole Spices, Detergent Powder, Pesticides Etc.** in Multihead Weigh Filler

#### Technical Specification

Packing Range	: 10gm to 1kg
Filling System	: (Multi Head Weigher) 10 Head Weigh Filler & 14 Head Weigh Filler
Filling Accuracy	: - / + 0.1%
Type of Sealing	: Center Seal
Film Size	: 100mm-500mm width x 100mm-360mm length
Film Roll Type	: Laminated Film in Roll Supported Film E.g. Aluminum Foil Pe
Speed	: 45 to 60 bag/min (Varies with the nature of product & filling range)
Power	: 3kw 230v / AC / Single Phase / 50hz
Wooden Case	: 1300mm x 1000mm x 1000mm (H x W x L)
Machine Size	: 72" x 85" x 126"
Weight	: 1400kg (Approx)
Compressed Air	: 6 CFM @ 6 bar
Optional	: Batch Coding Device





**TJB ENTERPRISE**

Turning Dreams Into Quality

## Fully Pneumatic Four Head Packing Machine

(Collar Type)



Automatic Form Fill & Seal Machine with Four Head Weigh Filler for Grains & Free Flow Powder Products Like **Pulses, Rice, Tea, Sugar, Namkeen, Whole Spices, Detergent Powder, Pesticides Etc.** in Four Head Weigh Filler



### Technical Specification

Packing Range : (50gm to 1Kg) (1kg – 5kg)

Filling System : Four head Weigh Filler

Type of Sealing : Center Seal

Film Size : 250mm- 600mm width x  
100mm- 450mm Length

Film Roll Size : OD 250 to 400mm max.  
ID film Reel Pipe 75mm

Film Roll Type : Laminated Film

Speed : 10 to 30 bag/min depend on the nature of  
the product

Power : 5 KW

Optional : Batch Coding Device, Batch Cutting Device,  
Z Elevator

Wooden Case : 2500mm x 1200mm x 1200mm (H x W x L)

Machine Size : 2800mm x 1700mm x 1400mm (L x W x H)

Machine Weight : 850kg. (Approx)



**TJB ENTERPRISE**

Turning Dreams Into Quality

## Fully Pneumatic Two Head Packing Machine

(Collar Type)



Automatic Form Fill & Seal Machine with Two Head Weigh Filler for Grains & Free Flow Powder Products Like **Pulses, Rice, Tea, Sugar, Namkeen, Whole Spices, Detergent Powder, Pesticides Etc.** in Two Head Weigh Filler



### Technical Specification

Packing Range : 50gm to 1Kg

Filling System : Two Head Weigh Filler

Type of Sealing : Center Seal

Film Size : 200mm-520mm width x  
120mm-360mm Length

Film Roll Size : OD 250 to 300mm max.  
ID Film Reel Pipe 75mm

Film Roll Type : Laminated Film

Speed : 8 to 14 Pouches per minute depend on the product nature

Power : 4KW Three Phase

Optional : Batch Coding Device, Batch Cutting Device, Z Elevator

Wooden Case : 2300mm x 1100mm x 1200mm (H x W x L)

Machine Size : 2600mm x 1600mm x 1300mm (L x W x H)

Machine Weight : 750kg. (Approx)



**TJB ENTERPRISE**

Turning Dreams Into Quality

## Half Pneumatic CUP Filler Packing Machine



Automatic Form Fill & Seal Machine with Cup Filler for Grains & Free Flow Powder items Like **Rawa, Broken Wheat, Detergent, Tea, Coffee, Namkeen, Puffs, Pesticides Etc.** in Volumetric Cup Filler

### Technical Specification

Filling System	: Volumetric Cup Filler
Filling Accuracy	: +/-0.1% - +/-0.2%
Sealing Type	: Center Seal / 3 Side Seal
Filling Range	: 10gm to 100 / 100gm to 250gm
Film Role Material	: Laminated Film
Speed Capacity	: 25 to 40 Bag/min (Varies with the Nature of Product & Filling Range)
Machine Size	: 1050mm x 990mm x 1900mm (L x W x H)

PLC	: Delta
TC	: Selectron
Contact Part	: SS 304
Power	: 2.5 Kw
Optional	: Batch Coding Device, Batch Cutting Device Gas Flushing Unit
Machine Weight	: 450kg (Approx)



**TJB ENTERPRISE**

Turning Dreams Into Quality

## Fully Pneumatic CUP Filler Packing Machine



Automatic Collar Type Form Fill & Seal Machine with Cup Filler for Grains & Free Flow Powder items Like **Rawa, Broken Wheat, Detergent, Tea, Coffee, Namkeen, Fryms, Peanut, Puffs, Soya Chunk, Pesticides Etc.** in Volumetric Cup Filler

### Technical Specification

Packing Range	: 1. (20gm to 100gm) 2. (100gm to 500gm) 3. (500gm to 1000gm)
Filling System	: Volumetric Cup Filler
Type of Sealing	: Center Seal
Packing Material	: Powder, Grains, Etc
Film Size	: 200mm-420mm width x 100mm-550mm length
Film Roll Size	: OD 250 to 400mm max. ID film reel pipe 75mm

Film Roll Type	: Laminated Film
Speed	: 40 to 60 bag/min (Varies with the nature of product & Filling range)
Power	: 3 KW 230V / AC / Single Phase / 50hz
Optional	: Batch Coding Device, Batch Cutting Device Gas Flushing
Wooden Case	: 1700mm x 1000mm x 1100mm (H x W x L)
Machine Size	: 1050mm x 990mm 2100(L x W x H)
Machine Weight	: 750kg. (Approx)



**TJB ENTERPRISE**

Turning Dreams Into Quality

## Half Pneumatic Auger Filler Packing Machine



Automatic Semi Pneumatic Form Fill & Seal Machine with Servo Auger Filler for Sticky Powder Products Like **Spices, Wheat Flour, Coffee Powder, Henna, Pesticides Etc.** in Servo Auger Filler



### Technical Specification

Filling System	: Servo Auger Filling
Filling Accuracy	: +/- 1 to 2% Depend upon nature of product
Sealing Type	: Center Seal / 3 Side Seal
Filling Range	: 50gm to 500gm
Packing Material	: Sticky Powder
Size of Bag/ Pouch	: W-100 to 360mm L-80 to 130mm
Machine Size	: 2500mm x 800mm x 900mm (H x W x L)

Wooden Case	: 2650mm x 1000mm x 1000mm (H x W x L)
PLC	: Delta / Fuji
Contact Part	: SS 304
Filling System	: Servo Auger Filler
Power	: 220v Ac Single Phase And Three Phase
Optional	: Batch Coding Device, Screw Conveyor
Machine Weight	: 650kg (Approx)



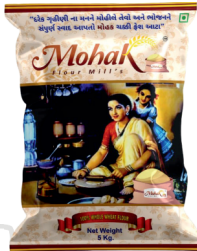
**TJB ENTERPRISE**

Turning Dreams Into Quality

## Fully Pneumatic Fuel Filler Packing Machine. (Collar Type)



**5kg -10kg**  
Atta Pouch M/c



Automatic Collar Type Form Fill & Seal Machine with Servo Auger Filler for Sticky Powder Products Like **Spices, Wheat Flour, Gram Flour, Milk Powder, Ice Cream Powder, Pesticides Etc.** in Servo Auger Filler

### Technical Specification

Filling System	: Servo Auger Filling
Filling Accuracy	: +/- 0.1% Depend upon nature of product
Sealing Type	: Center Seal
Filling Range	: Up to 1000gm
Packing Material	: Sticky Powder
Film Role	: 100 To 400mm-W/80mm to 240mm-L
Speed Capacity	: 30 to 45 Pouch per minute
Machine Size	: 2500mm x 900mm x 1000mm (H x W x L)

Wooden Case	: 2650mm x 1200mm x 1200mm (H x W x L)
PLC	: Delta/ Fuji
Contact Part	: SS 304
Power	: 440v Three Phase
Optional	: Batch Coding Device, Batch Cutting Device Screw Conveyor
Machine Weight	: 700kg (Approx)



**TJB ENTERPRISE**

Turning Dreams Into Quality

## Mechanical F.F.S. Machine Cup Filler



Automatic Form Fill and Sealing Machine for Filling Dry, Free Flowing Products Like **Detergent Powders, Sugar, Salt, Tea Dust, Bhujia, Whole Spice, Chemical Etc.**

### Technical Specification

Capacity : 5gm to 20gm

Filling System : Cup Filler

Filling Accuracy : +/- 0.1 %

Sealing Type : Center Seal / 4 Side Seal, 3 Side Seal

Packing Material : Laminated Film

Film Size : 160mm-250mm Width

140mm-200mm Length

Speed Capacity : 35 to 60 Pouch per minute

Contact Part : SS 304

Dimension : 780 x 650 x 1950mm (LxWxH)

Power : 2kw Single Phase

Optional : Batch Coding Device

Machine Weight : 450kg (Approx)



**TJB ENTERPRISE**

Turning Dreams Into Quality

## Mechanical F.F.S. Machine Piston Filler (For Liquid)



Automatic Form Fill & Seal Machine for Free Flowing Liquid and Semi Liquid to Pack Products Like **Shampoo, Honey, Coconut Oil, Tomato Puree, Oil, Grease, Paste** and any other Free Flowing Materials in Piston Filler



### Technical Specification

Packing Rang : 1. (2ml to 20ml) 2. (20ml to 50ml)  
3. (50ml to 100ml)

Filling System : Volumetric Piston Filing

Filling Accuracy : +/- 0.1 %

Sealing Type : Center Seal/ 4 Side Seal, 3 Side Seal

Filling Range : Up to 100ml

Packing Material : Liquid & Semi Liquid

Speed Capacity : 35 to 50 Pouch per minute

Machine Size : 780 x 650 x 1950mm (LxWxH)

Contact Part : SS 304

Power : 2kw Single Phase

Optional : Batch Coding Device

Machine Weight : 430kg (Approx)



**TJB ENTERPRISE**

Turning Dreams Into Quality

## Multi Track Packing Machine



Automatic Multi-Track Form Fill & Seal Machine with Piston Filler for Liquid and Semi Liquid Products Like **Shampoo, Ketchup, Oil, Cream** Pharma products & Pesticide products

### Technical Specification

Packing Range : 2ml to 50ml ( 2gm to 50gm)

Filling System : Piston Filler, Cup Filler

Sealing Type : Four Side Seal

Packing Material : Laminated Film

Film Size : 400mm-900mm width x  
50mm-150mm length

Film Roll Size : OD 250 to 400mm max.  
ID film reel pipe 75mm min

Film Roll Type : Laminated Film

Speed : 50 to 100 Stock Per Minute (Varies with the nature of product & Filling range)

Power : 4 KW 440V / AC / Three Phase

Optional : Batch Coding Device, Batch Cutting Device  
Auto Lubrication, GMP Model, Gas Flushing  
Unit Level Sensor

Machine Size : 2200mm x 1700mm x 2300mm

Machine Weight : 1500kg (Approx)



**TJB ENTERPRISE**

Turning Dreams Into Quality

## Automatic Rotary Pouch Packing Machine



The Granules packing machine is suitable for granule material, s **Melon seeds, Nuts, Candy, Raisins, Chinese Wolfberry, Red dates, Potato chips, Cookies** and other solid material automatic packing.

### Technical Specification

Bag material	: Laminated film/PE/PP
Bag pattern	: Stand-up with zipper & stand-up with spout, flat bag,
Max filling weight	: 10-5000ml
Filling accuracy	: 0.5-1%
Bag size	: Type 1 W:100-200mm L:100-350mm Type 2 W:150-260mm L:100-350mm Type 3 W:200-300mm L:200-450mm
Speed	: 10-60bags/min

Voltage	: 380v 3phase 50/60hz
Total power	: 5.5KW
Compress air	: 0.6m <sup>3</sup> /min
Detecting device	: 1.No ribbon, alarm and Emergency stop 2.No pouch or pouch open error, no filling, no sealing
Safety device	: 1.Open the door, alarm a Emergency stop(Optional) 2.The air pressure not enough, alarm 3.the sealing temperature anomaly, alarm



**TJB ENTERPRISE**

Turning Dreams Into Quality

## Horizontal Flow Wrap Machine (Servo Model)



Automatic Horizontal Flow Wrap Machine with Manual Feeding for Packing solid products like **Chocolate, Biscuit, Lollypop, Soap, Peanut Candy, Ice Candy, Scrub Pad, Auto Parts, Industrial Parts, any solid piece Etc.**

### Technical Specification

Model	HFFS 250	HFFS 320	HFFS 450
Max Film Width	250mm	320mm	450mm
Bag Length	65mm – 190mm	120mm-280mm	65mm-190mm
	120mm – 280mm	130mm-450mm	
Bag Width	30mm-110mm	50mm-160mm	60mm-220mm
Max Product Height	40mm	40mm	80mm
	55mm	55mm	
Speed	40-230 PPM	40-230 PPM	30-180 PPM
Power	MOTOR 1 H.P	MOTOR 1 H.P	MOTOR 1 H.P
	2.5KW SINGLE PHASE	2.5KW SINGLE PHASE	2.5KW SINGLE PHASE
Machine Size	1800mm L	1800mm L	1800mm L
	1000mm W	1000mm W	1000mm W
	1360mm H	1360mm H	1360mm H
Machine Weight	700kg (Appx.)	800 (Appx.)	900(Appx.)



**TJB ENTERPRISE**

Turning Dreams Into Quality

## Four head manual Weigher



## Two head manual waigher

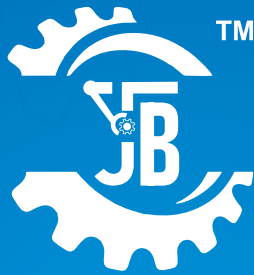


## Single head manual Weigher



## Winder Re-winder machine with digital coding





## TJB ENTERPRISE

Turning Dreams Into Quality



**TWINKLE** JODHANI



+91 90161 89331



**JAYMIN** RANA



+91 97279 31204



**BRIJESH** GOHIL



+91 97279 31203



info.tjbenterprise@gmail.com



www.tjbgroup.co.in



7, Bn Estate, Kathwada Road  
No.5, Nikol-kathwada Ring Road, Ahmedabad, Gujarat-382430.

- Automatic Pouch Packaging Machines
- Manual Weigher Machines
- Z Type Elevator
- Flow Wrapping Machines
- Shrink Tunnel
- Coding Machines
- Winder - Rewinder Machine
- Multihead Weigher Machines
- Bottling Plant (RFC)
- Packaging Material